

MiroCam® Capsule



MiroCam® MC1200

MC1200 has a constant frame rate of 3FPS.



MiroCam® MC1600

MC1600 has a constant frame rate of 6 FPS providing more details of small bowel for an in-depth diagnosis. MC1600 is also available in Navi model.



MiroCam® MC2000

MC2000 is a double tip capsule with a constant frame rate of 3 FPS on each side. MC2000 provides more coverage of the small bowel for a better diagnostic result.



Stomach Mucosa



Duodenum Mucosa



Jejunum Villi



Ileum Vascularity

MiroCam®Navi

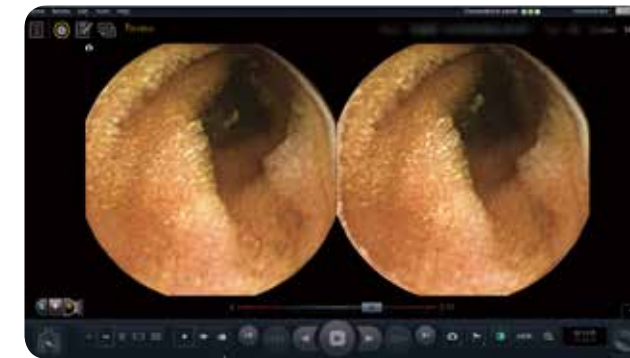


- MiroCam® Navi can be controlled by magnetic force using Navi Controller
- Deliver an immobilized capsule safely from the esophagus and stomach into the duodenum
- Control the movement of the capsule by viewing the images real time



MiroView™ 4.0 Software

New User Interface for MC2000



New Express View: Abnormal Lesion Detector



Express View is validated

- Reading time reduced up to 80%
- Validation study¹ carried out.
- Safe and efficient algorithm ensuring the reliability of diagnosis

Video Summary



Elimination of redundant images

Abnormal Lesion Detector



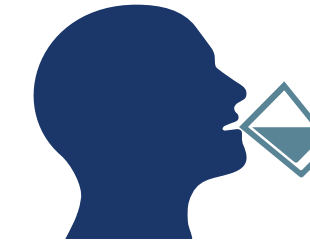
Main Lesion Detection
 - Bleeding
 - Vascular Lesion
 - Ulceration & Polyp

Specifications



1. Shorter reading time
 2. Reduced missing lesions
 3. Better diagnostic yields

Accessories



Reusable Data Cable

Data cable, simple and easy to attach



Single use Data Belt

Hygienic and comfortable to use



Receiver Pouch

Simple and light to wear



Receiver Cradle

Quick charging and efficient data uploading



Receiver Set



Data Belt set



Data Cable set

Reference: 1. Jean-Christophe Saurin, Philippe Jacob, Laurent Heyries, Christian Pesanti, Franck Cholet et al. Multicenter prospective evaluation of the express view reading mode for small-bowel capsule endoscopy studies. Endoscopy International Open 2018; 06: E616-E621.

MiroCam® Receiver MR2000

MiroCam® Receiver MR2000, the latest advancement and most user friendly hardware for MiroCam® Capsule Endoscopy



WIDE LCD Screen for RTV

Light and compact design with wide LCD screen not only benefits patients but also enables physicians to easily check capsule location real-time. Images can be captured on the screen during the entire procedure.

SMART Procedure Guidance

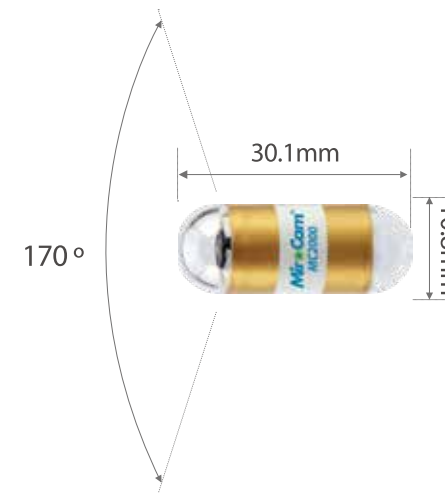
For each step, intuitive reminders are displayed to help users properly operate the procedure. A device self-check will be automatically progressed to prevent both technical and user errors.

EFFICIENT Data-handling System

With much faster and more efficient algorithm, MiroCam® Receiver MR2000 is capable to handle large image data transferred from high frame rate capsule



MiroCam® Capsule Endoscope



MC2000 double tip capsule

MiroCam® Receiver MR2000

Selective Uploading Images
Real-time View & Image Capture

- The function of real-time view and capture in easy and fast way

MiroView™ 4.0 Software

MiroView™ Express View

- Efficient reading time by removing similar images.
- Compatible with MC1200, MC1600, MC2000 series capsules
- Abnormal Lesion Detector

CAPSULE ENDOSCOPE

MiroCam®



Tel: +82-2-801-9300
Fax: +82-2-801-9330

contact: marketing@intromedic.com
Website: www.intromedic.com

MR2000-2010E

www.intromedic.com

